

SUBCON 25/M-SH

Order No.: 2761622

The illustration shows version SUBCON 9/M-SH

<http://eshop.phoenixcontact.de/phoenix/treeViewClick.do?UID=2761622>

SUB-D connector with one cable entry, 25-pos., male version

Commercial data

EAN	4017918107994
Pack	1 Pcs.
Customs tariff	85366990
Weight/Piece	0.0839 KG
Catalog page information	Page 469 (IF-2007)

Product notes

WEEE/RoHS-compliant since:
10/17/2006

<http://www.download.phoenixcontact.com>
Please note that the data given here has been taken from the online catalog. For comprehensive information and data, please refer to the user documentation. The General Terms and Conditions of Use apply to Internet downloads.

Technical data

General data

Nominal voltage U_N	60 V AC/DC
Nominal current I_N	1 A
Insertion/withdrawal cycles	> 200
Max. cable diameter	10 mm
Min. cable diameter	4 mm

SUBCON fixing screws	4-40 UNC
Tightening torque	0.4 Nm
Ambient temperature (operation)	-20 °C ... 75 °C
Housing material	ABS, metal-plated
Pin assignment	All connections are 1:1 on the screw terminal block

Connection data

Connection	D-SUB connection
Number of positions	25
Type of connection	D-SUB pin strip
Connection	PCB connection
Type of connection	Screw connection
Conductor cross section solid min.	0.14 mm ²
Conductor cross section solid max.	1.5 mm ²
Conductor cross section stranded min.	0.14 mm ²
Conductor cross section stranded max.	1 mm ²
Conductor cross section AWG/kcmil min.	26
Conductor cross section AWG/kcmil max	16
Stripping length	5 mm
Tightening torque	0.4 Nm

Certificates / Approvals

Approval logo



requested approbations

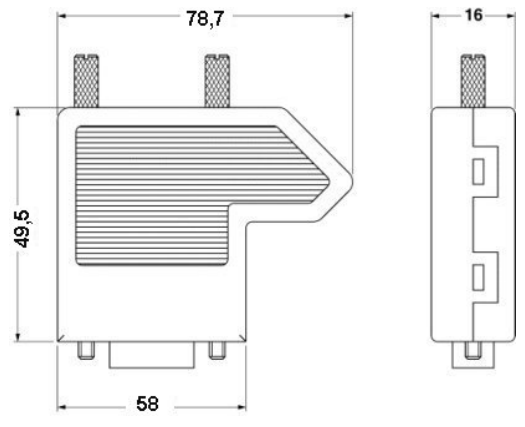
Certification	CUL, GOST, UL
---------------	---------------

Accessories

Item	Designation	Description
Assembly		
2799694	SUBCON-SHORT-SCREW	Optional fixing screw, short (w/o knurl)

Drawings

Dimensioned drawing



Address

PHOENIX CONTACT Inc., USA
586 Fulling Mill Road
Middletown, PA 17057, USA
Phone (800) 888-7388
Fax (717) 944-1625
<http://www.phoenixcon.com>



© 2008 Phoenix Contact
Technical modifications reserved;